

10th European – Japanese Cerebrovascular Congress (10th EJCVC)

Prospectus



10th European – Japanese Cerebrovascular Congress

Chair :

Tetsuya Tsukahara (Kyoto, Japan)

Co-chairs :

Yasuhiko Kaku (Gifu, Japan)

Luca Regli (Zurich, Switzerland)

Giuseppe Esposito (Zurich, Switzerland)

Message

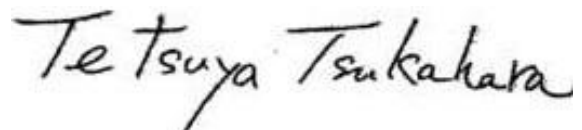
Dear Sponsors and partners,

We are currently re-planning 10th European-Japanese Cerebrovascular Congress zealously to allow many delegates to attend the congress. The 10th European-Japanese Cerebrovascular Congress (EJCVC) was originally scheduled on June 11-13, 2020 in Kyoto, Japan, but due to the situation of COVID-19, it was postponed to November 16-18, 2020. However, unexpected world-wide expansion of COVID-19 prevented from us to open the Congress even on the rescheduled date. Since main purpose of EJCVC is to have a lively exchange of discussion meeting together from Europe and Japan, we would like to invite overseas faculty members to come to the site and, and we have received many requests for on-site participation. Therefore, we have decided to reschedule the meeting for November 14-16, 2022 in Kyoto, Japan.

This meeting represents a unique opportunity to gather the latest information on current topics in the management of neurovascular diseases. It also facilitates networking to enhance the exchange of scientific knowledge between those in different cultures and training systems to improve the quality of daily medical activities for neurosurgeons, neuroradiologists, neurologists, neurocritical care specialists and nurses.

We are confident that this meeting will provide related companies and organizations with the best opportunity to expand their network with world's top clinicians and researchers. We look forward to your understanding of the significance of this meeting and your involvement in sponsorship.

Yours sincerely,



Tetsuya Tsukahara, MD
National Hospital Organization, Kyoto Medical Center

Outline of 10th EJCVC

Title The 10th European-Japanese Cerebrovascular Congress

Date November 14 to 16, 2022

Venue Shiran Kaikan
Graduate School of Medicine, Kyoto University
URL: www.med.kyoto-u.ac.jp/shiran/

Chair Tetsuya Tsukahara (Kyoto, Japan)

Co-chairs Yasuhiko Kaku (Gifu, Japan)
Luca Regli (Zurich, Switzerland)
Giuseppe Esposito (Zurich, Switzerland)

Theme New Trends of Cerebrovascular Treatment and the Next Step

Participants Approx. 200 people

Management Office Japan Convention Services, Inc.
Keihanshin Yodoyabashi Bldg. 2F
4-4-7 Imabashi, Chuo-ku, Osaka 541-0042 Japan
Tel: +81-(0)6-6221-5933

Sponsorship Levels

Package Sponsors

	Platinum ¥1,500,000	GOLD ¥1,000,000	SILVER ¥500,000	BRONZE ¥200,000
Sponsorship Recognition * Company Logos on HP and program booklet	○ big size * linked to HP	○	○	○
HP Banner	○	○	○	○
Exhibition Booth * 1 booth=W1.8 x D1.5	Up to 1 Standard Booths *H2.4 m	Up to 1 Standard Booths *H2.4 m	Up to 1 Standard Booths *H2.4 m	
Recognition in Sessions	Company video to run in between scientific sessions (2-minute video)	Company PPT slide to run in between scientific sessions	-	-
Full Conference Registrations *incl. Gala Dinner Ticket	3	3	2	1
Morning, Luncheon or Evening Seminar	○	-	-	-

Package Sponsors

1. Platinum sponsor..... ¥1,500,000 (without tax)

The platinum sponsor package includes the following:

- Any one spot of the Morning, Luncheon or Evening Seminar
- * Please provide a light meal on your side. Not included these costs in the sponsorship fee.
Details of a light meal will be forwarded to you separately.
- Company exhibition **one standard booth**
- Company video to run in between scientific sessions (2-minute video)
- HP banner
- Company logos on HP
- 3 free invitations to the Congress and Gala Dinner tickets

2. Gold sponsor ¥1,000,000 (without tax)

The gold sponsor package includes the following:

- Company exhibition **one standard booth**
- Company PPT slide to run in between scientific sessions (2-minute video)
- HP banner
- Company logos on HP
- 3 free invitations to the Congress and Gala Dinner tickets

3. Silver sponsor ¥500,000 (without tax)

The silver sponsor package includes the following:

- Company exhibition **one standard booth**
- HP banner
- Company logos on HP
- 2 free invitations to the Congress and Gala Dinner tickets

4. Bronze sponsor ¥200,000 (without tax)

The bronze sponsor package includes the following:

- HP banner
- Company logos on HP
- One free invitations to the Congress and Gala Dinner tickets

Selling Separately

5. Website Announcement: Logo banner ¥100,000 (without tax)

- Medium: 10EJCVC website
- Advertising page: Sponsorship page
(The position will be decided by the Management Office)
- Website contents: URL <https://site.convention.co.jp/ejcv2020/>
Main contents: outline, program, call for abstracts, Travel, and other information for participants, etc.
- Advertising period: Month of application - end of November 2022
- Advertising rate: JPY100,000- per banner (tax excluded)
- Banner size: within W200 x H60 pixels
*General image formats are accepted. Please contact us regarding special image formats and rotation banners (animation).
- Banner Data: After sending the application, send the banner data and URL to the Management Office.

6. PPT slide Recognition ¥100,000 (without tax)

- Medium: Company promotion PPT slide running between academic sessions
- Advertising period: 3 days from November 14 to 16, 2022
- Place: at *Shiran Kaikan*, Kyoto University
- Contents: Company name, product name, or logo on one (1) page of PPT slide
- Target: Participants of 10EJCVC
- No. of spots: 3 companies (expected)
- Advertising rate: **JPY100,000-** (tax excluded) x 3 spots
- Ad specification: The ad size, format, and other details will be announced later.

-Application deadline -
Friday, 14 October, 2022

Morning, Luncheon and Evening Seminar

- Name: Morning, Luncheon and Evening Seminar *name may be subject to change.
- Host: The 10th European-Japanese Cerebrovascular Congress
- Date: one day from November 14 to 16, 2022
- Time:

	Nov. 14	Nov. 15	Nov. 16
Morning Seminar	-	30min.	30min.
Luncheon Seminar* ¹	30min.	30min.	30min.
Evening Seminar* ¹	30min.	30min.	-

*1) The buffet time is scheduled in the last half of a one-hour slot.

- Venue: Shiran Kaikan, Graduate School of Medicine, Kyoto University (approx.100-150 seats)
- Program: Program contents will be finalized based on the applicant's request and in coordination with the main congress program.
- Presentation method: PC presentation possible
- Co-sponsorship fees:

*Number of seats available (scheduled) when arranged in theater style layout and Co-sponsorship fees include the following.

- (1) Venue fee
- (2) Venue facilities fee (desks, chairs, stage, audio equipment, lighting, etc.)
- (3) Venue equipment fee (screen and other equipment prepared by the Congress)
- (4) Venue equipment operator (1 person)
- (5) Stationery

The following expenses are not included in the co-sponsorship fees.

- * Honorarium and traveling expenses for the chairperson/ speaker (according to your company's rule)
- * Waiting room fees (actual expenses)
- * Food and drinks for the guests, and other equipment in the waiting room
- * Light Meals for the participants
- * Management expenses (personnel expenses for part-time staff, additional equipment or signs and displays not prepared by the Congress, etc.)
- * Printed documents (posters, flyers, etc.)
- * Venue installation changing fees

■ Others:

The program contents (theme, chairperson, lecturers, etc.) will be decided upon consultation based on the applicant's request, and in coordination with the main congress program.

The venue/date will be decided in consideration of the program contents.

The application deadline is Friday, 14 October 2022. You can also request the venue/date after the application is accepted.

Exhibition

- Name: Exhibition
- Venue: 2F foyer, Shiran Kaikan, Graduate School of Medicine, Kyoto University
- Date: November 14 to 16, 2022
- Time:

	Nov. 13	Nov. 14	Nov. 15	Nov. 16
Exhibition Time	15:00-17:00 (for set-up.)	9:00-18:00	9:00-13:00	9:00-13:00

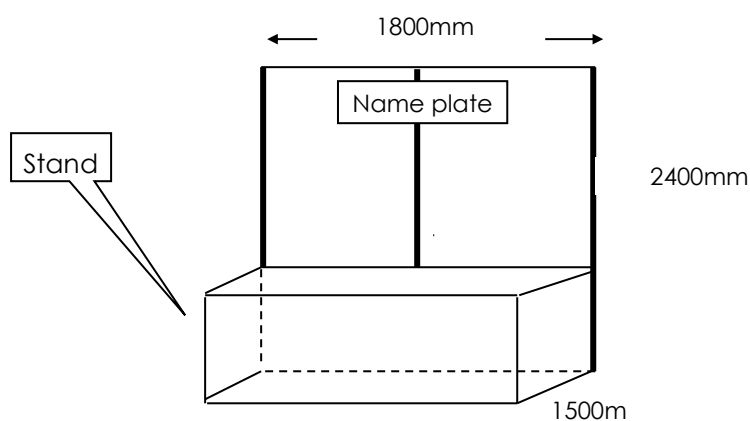
* Standard booth: 1 booth = W1.8 x D1.5 x H2.4 m

Included;

- One exhibition stand (W1.8 x D0.9 m)

With white cloth (please bring the cover cloth for exhibits)

Other installations must be prepared by the exhibitors.



*Specifications of the standard booth may change due to conditions of installation. In such case, exhibitors will be notified in advance.

Advertisement

Company Video or Slide

- Medium: The 10th European-Japanese Cerebrovascular Congress promotion slide
- Advertising: This is run in between scientific sessions
- Advertising period: Only the day of your morning, luncheon or evening seminar
- Platinum: 2 minutes video or PPT slide
- Gold: one minutes PPT slide

*General image formats are accepted. Please contact us regarding special image formats and rotation banners (animation).

Website Banner

- Medium: The 10th European-Japanese Cerebrovascular Congress website banner
- Advertising page: Top page (the position will be decided by the Management Office)
- Website contents: <https://site.convention.co.jp/ejcv2020/>
- Advertising period: Month of application - end of November 2022 (updated regularly)
- Banner size: within W200 x H60 pixels

*General image formats are accepted. Please contact us regarding special image formats and rotation banners (animation).

Company Logos on HP

- Medium: The 10th European-Japanese Cerebrovascular Congress sponsorship recognition
- Advertising page: Sponsor page (the position will be decided by the Management Office)
- Website contents: <https://site.convention.co.jp/ejcv2020/>
- Advertising period: Month of application - end of November 2022 (updated regularly for the website)

* Logo size is variable depending on the sponsorship

*General image formats are accepted.

For your further interest

■ Application

Please access to the “sponsorship” button on the official website

https://entry.convention.co.jp/f-system3/view/view_form.php?form_id=3780&code=ee8c9

¥

■ Payment for

Platinum sponsorship;

The invoice will be sent after application. Please make a bank transfer to the account designated on the invoice within a month of its issuance. The bank transfer fees shall be paid at your expense.

Please note that cancellations will not be accepted once the invoice is issued. The expenses will not be refunded in case of unforeseen circumstances situation.

■ Payment for

Gold, Silver and bronze sponsorship;

Upon reception of the application, the Management Office will confirm the advertising spot and send the invoice. Please make a bank transfer to the account designated on the invoice within a month of its issuance. The bank transfer fees shall be paid at your expense. Please note that cancellations will not be accepted once the invoice is issued. The expenses will not be refunded in case of unforeseen circumstances situation.

■ Contact;

The 10th European-Japanese Cerebrovascular Congress Management Office

Japan Convention Service, Inc. (JCS) Kansai Regional Office

Keihanshin Yodoyabashi Bldg. 2nd floor,

4-4-7 Imabashi, Chuo-ku, Osaka 541-0042, Japan

TEL: +81-(0)6-6221-5933 / FAX: +81-(0)6-6221-5938

E-mail: 10ejcvc@convention.co.jp